

Thalia

Touch POS Machine

- Full-Flat Touch Monitor
- Multi-Point Projective Capacitive Touch Screen
- 12.1/15/17 Inch TFT LCD Optional
- 18Months Warranty Service



Ultra-wide angle
rotatable bracket



Front view



Rear view



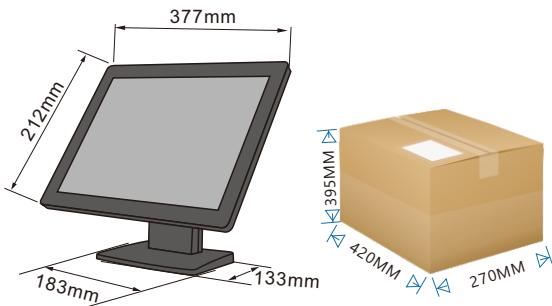
Button



Thalia

Touch POS Machine

Dimension



Specification

LCD Display	17" TFT Panel
Pixel Pitch	0.297(H) x 0.297(V)
Max. Resolution	XGA 1024 x 768
Touch Screen	Projective capacitive USB interface
Contrast Ratio	700:1
Brightness	Max.450 nits
Display Color	16.2M / 262K colors
OSD(On Screen Display)	Power, Menu, Up, Down, Return
I/O Port	1 x D-sub15 VGA / HDMI / USB, 1 x 12V DC in, 1 x USB(Touch Screen)
VESA Mount	Wall Mount & VESA 75*75mm Available
Power Supply	AC100~240V, DC 12V / 5A, 60watt
Viewing Angle	160 °~150 ° (Typ)
Material	Front: Bezel Zero , Back Cover: Plastic
Color	Black
Option	3 Tracks Magnetic Reader USB Interface
Physical Dimensions	355mm(W) x 282mm (D) x 310mm (H)
Weight	2.98KG
Temperature	Operating Temp: -5°C ~ +60°C, Storage Temp: -15°C ~ +75°C
Humidity	Operating Humidity: 15%~85%, Storage Humidity: 15%~85%
Certification	CE,FCC, RoHS

Superior Touch Display

With 17" TFT LCD and up to 1024 x 768 resolution, the delivers more vivid and clear image. Its provides fast and accurate touch response. LED backlighting of the Thalia enables lower power consumption.

Versatile Solution

Thalia Installation Guide Adapter Power Cord Removable base stand and mounting options supported by VESA standard make installation more flexible. On a wall or a counter or on a shelf or a pod, the Thalia is best suited to meet a variety of POS and interactive solutions. (Point-of-Sale, Kiosk for Point-of-Information, and digital signage.)

What's in the box?



Lv152



Adapter



Power Cord